

ASTA Parts List & Machine Drawings



PRACTICAL SYSTEMS INC.

11617 Prospect Road • Odessa, FL 33556
 (727) 376-7900 • Fax (727) 372-1900
 (800) 237-8154 • Fax (800) 330-3800
www.LookToPSI.com

ASTA Parts List

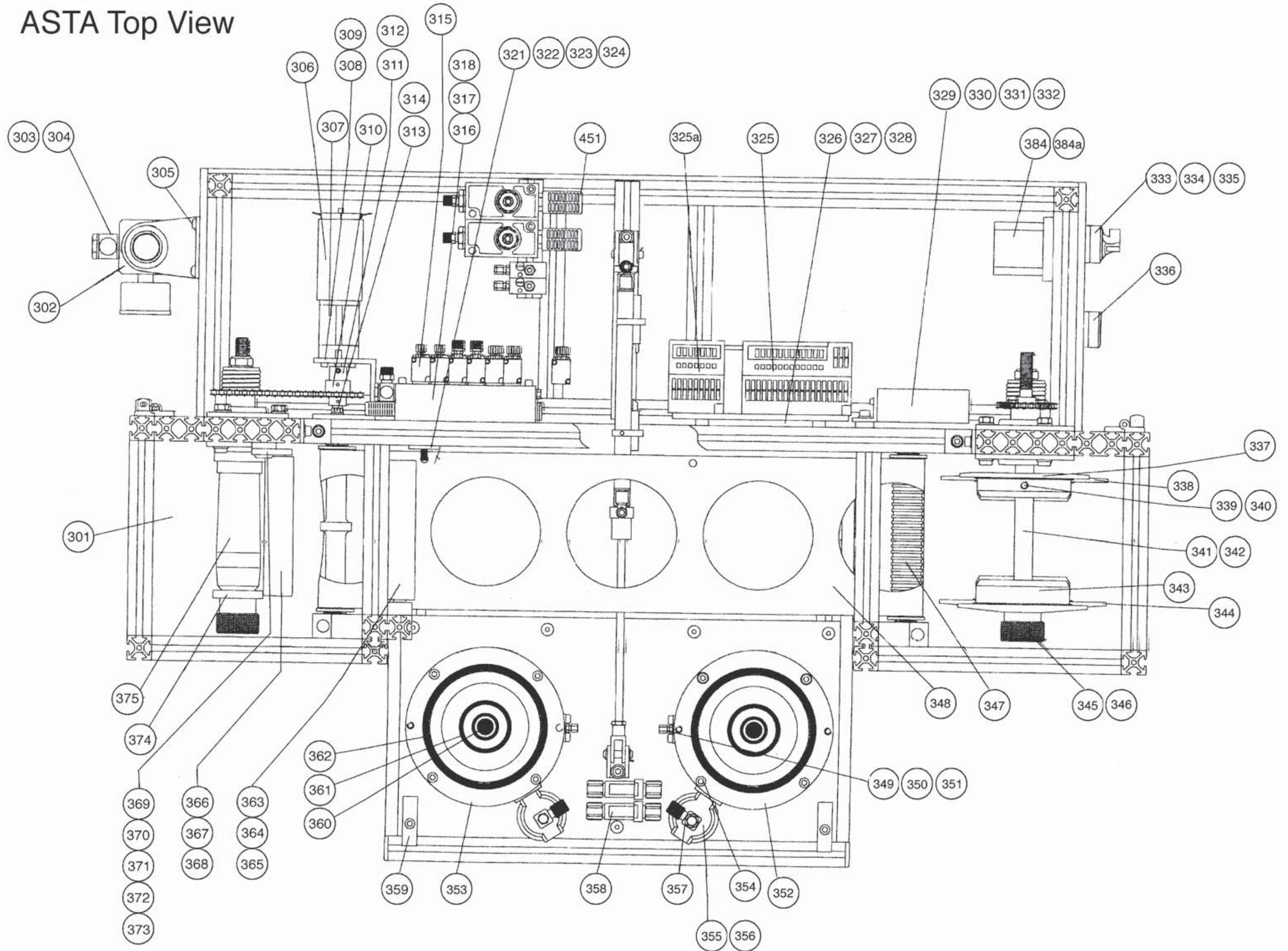
Supplies

Pos.	Quantity	Reference	Description/supply
1	20 pac	N/8168	Replacement Blades, p.u. 10 pcs
2	10 ct	110.380	Cardboard rolls for tape cut-off, p.u. 648 pcs
3	10 btl	ASR/500	Cleaner for the Conveyor belt FAB-5ER, 500 ml

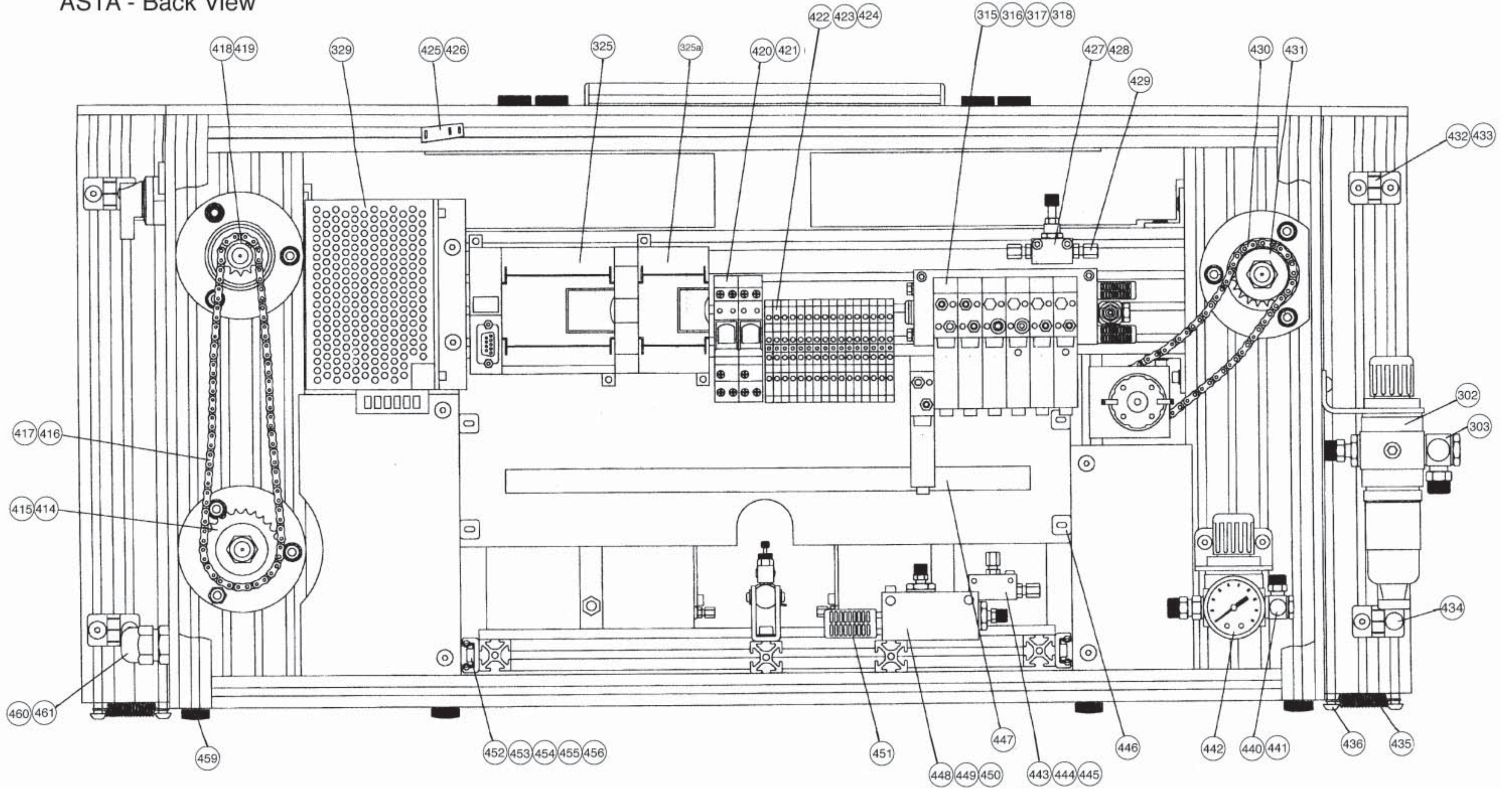
Spare Parts

Pos.	Quantity	Dual Taper V2A-03	Single Taper V1A-03	Description/spare parts
1	5 pcs	306/307	006/007	DC motor 36mm, GB, 70W, KL, 2WE, complete with gear GP, 32mm, 2Nm, 71:1, SL
2	20 pcs	322	226	Countersunk screw M5x8 DIN 7991 with groove stone M5
3	5 pcs	323	023	Cradle photoelectric barrier
4	3 pcs	329	029	Mains adapter 36U-24S
	5 pcs	334	034	Contact block module lock
	3 pcs	336	036	Push-button round 29mm
	5 pcs		048	Conveyor belt FAB-5 ER size: 900x130mm
	15 pcs	348		Conveyor belt FAB-5 ER size: 1337x130mm
	4 pcs	349	049	Tension module EV-15/40-4
	5 pcs	352		Cylinder top right
	5 pcs	353	052	Cylinder top left
	5 pcs	355	055	Filter complete G1/4i, without draine valve
	20 pcs	356	056	Filter insert 40my, type DF.00-3
	20 pcs	358	058	Vacuumfilter VAF-PK-4
	20 pcs	360	060	Metal screen with sealing 18x4mm
	50 pcs	361	061	Sealing NBR 37x4mm 80 shore
	50 pcs	362	062	Sealing-ring, GU 52 red, 102x92x5mm
	10 pcs	366	066	Lager SSF688-2Z GPR J G340
	5 pcs	394/395	094/095	Drive role with Sealing 18x4mm
	5 pcs	398	098	Piston top
	10 pcs	399	099	Role membrane BFA 090/080-055
	5 pcs	410	110	Cylinder MDSUA-16-160-P
	5 pcs	411	111	Proximity switch with reedkontakt MSRK-34B
	20 pcs	420	120	Relay G2R 10A SP 24V DC
	5 pcs	425/426	125/126	Microswitch complete with pestle-set
	10 pcs	432	132	Hinge lid 5 PA
	4 pcs	443	143	Vacuum suction nozzle VAD-M5
	4 pcs	448		Vacuum suction nozzle VAD-1/4
	2 pcs		148	Vacuum suction nozzle VAD-3/8
	20 pcs	451		Sound absorber typ U-1/4
	10 pcs		151	Sound absorber typ U-3/8
	4 pcs	452/453/454 455/456	152/153/154 155/156	Rollon S22T-150-0170 complete with screws, washers and groove stones
	6 pcs	464	164	Pressure gauge vacuum R40/-1/0
	2 pcs	467	167	Push-button notch, round 29mm
	6 pcs	484/485	184/185	Motor 22mm, 24V, 6W, GB, SL, 1WE, complete with gear GP, 22mm, 0,8Nm, 84:1, KL
	4 pcs	496	196	Cylinder ADVULQ-12-10-A-PA
	6 pcs	517/523/524	217/223/224	Angle arm complete with screw and washers
	4 pcs	520/521	220/221	Blade support complete with grub screw
	8 pcs	520/521SPE	220/221SPE	Blade support only for polycarbonate lenses complete with grub screw
	4 pcs	517/520	217/220	Cutting unit complete, variable Ø55-82mm
	8 pcs	517/520SPE	217/220SPE	Cutting unit complete, only for poly-lenses
	20 pcs	522	222	Shank spring T-16125 L
	10 pcs	525	225	Angle bung

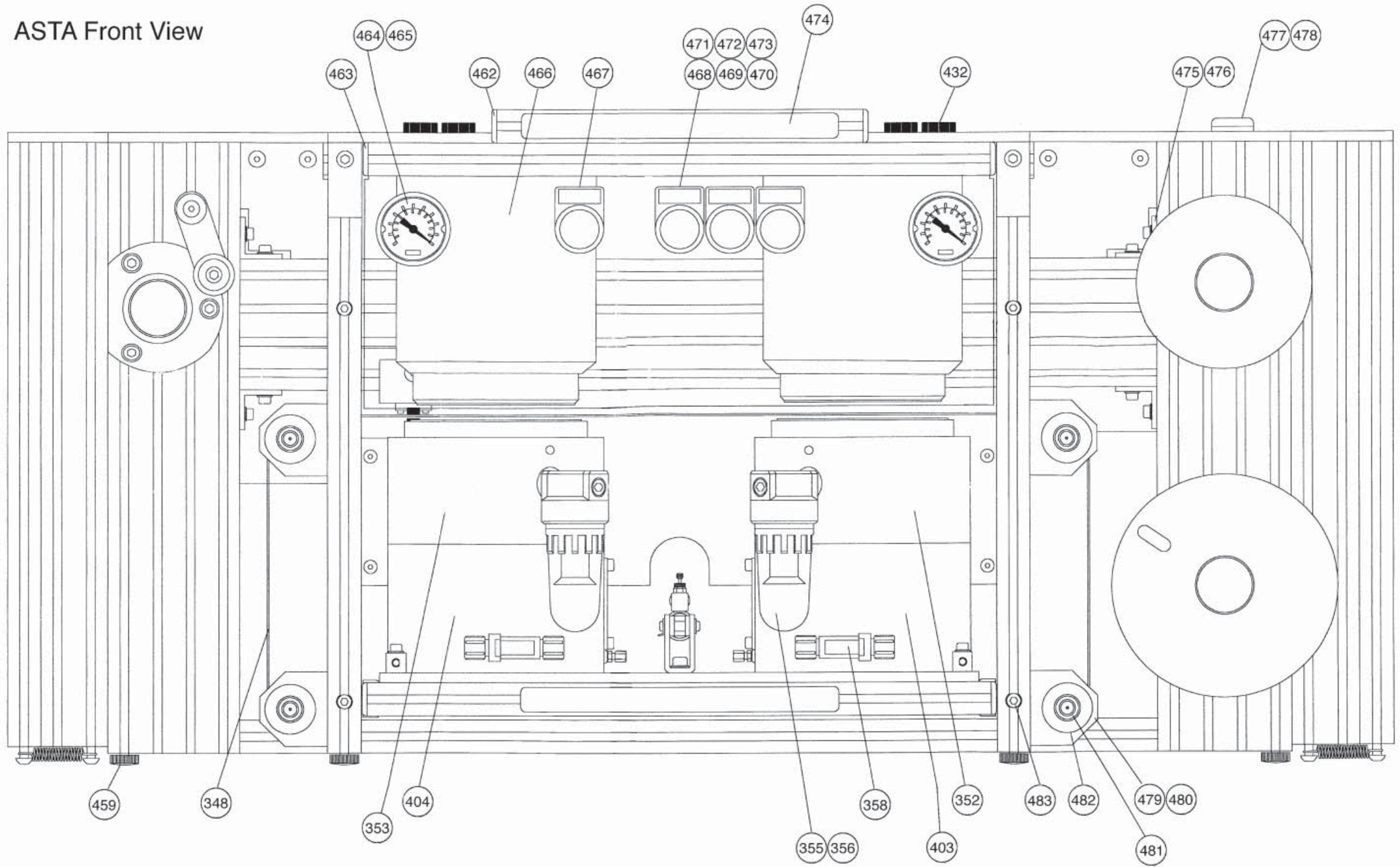
ASTA Top View



ASTA - Back View



ASTA Front View



ASTA - Side View

