

## Operation

1. Open the cover and place items to be cleaned in the tank.
2. Add water or a mixture of water and ultrasonic cleaning solution. Fluid should completely cover all items but should not go over the fill line.
3. Close the cover and press the ON button. Unit should start cleaning and red indicator light should be illuminated.
4. Stop the cleaning process by pressing the OFF button. Unit will stop automatically after about 3 minutes.
5. If more cleaning is required, repeat the cleaning cycle by pressing the ON button again.
6. When cleaning is complete remove items from tank. Do not leave items in cleaning solution for extended periods of time.

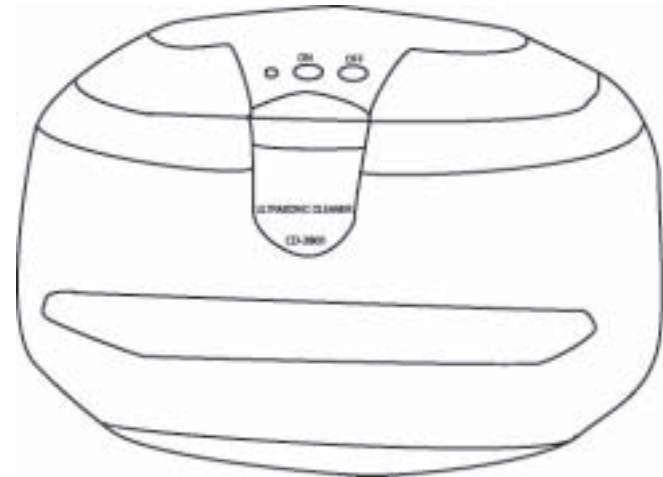
Contact PSI at 800-237-8154 or 727-376-7900,  
if you have any questions or problems with your machine.  
Thank you for Looking To PSI.



**PRACTICAL SYSTEMS, INC.**  
11617 Prospect Road • Odessa, FL 33556  
(800) 237-8154 • Fax (800) 330-3800

# Futura Ultrasonic Cleaner CD-2800

## Operating Instructions



**PRACTICAL SYSTEMS, INC.**  
11617 Prospect Road • Odessa, FL 33556  
(800) 237-8154 • Fax (800) 330-3800

## OPERATING INSTRUCTIONS FUTURA ULTRASONIC CLEANER (#CD-2800)

The Futura Ultrasonic Cleaner uses ultrasonic energy in the form of sound waves to create bubbles in the solution (cavitation). As these bubbles collapse, they create a "scrubbing" action that works its way into small spaces, loosening dirt and grime on all surfaces. Ultrasonic cleaning is safe for all frame materials, jewelry, medical instruments and other small, hard-to-clean items.

**WARNING:** Never attempt to operate this instrument before you have thoroughly read and understand all the instructions. Keep this users manual on hand and review it frequently to ensure continued proper operation.

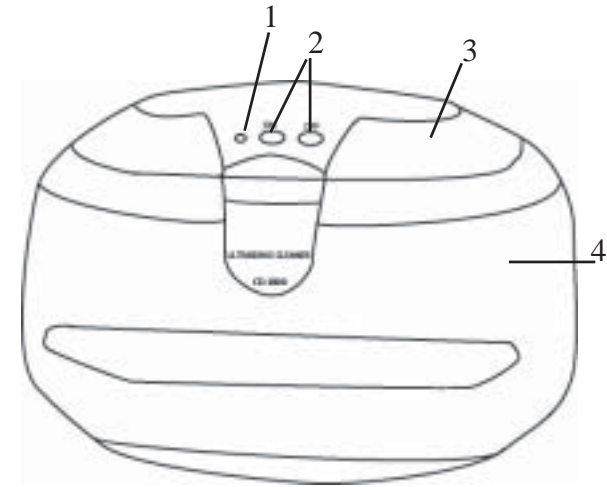
### Recommendations

- Unplug unit when not in use.
- Do not operate unit without fluid (either water or ultrasonic cleaning solution) in the tank.
- Never use solvents or flammable liquids in the ultrasonic cleaner.
- Do not disassemble any part of the unit except the parts that are explained in this manual. Doing so will void all warranties.
- If unit will not be used for an extended period of time, drain water or cleaning solution and dry the stainless steel tank thoroughly.
- Be cautious when cleaning inexpensive or very old jewelry. The ultrasonic cleaning action may loosen settings held in place only by cement.
- Follow the directions on the cleaning solution you are using in the ultrasonic cleaner.

### Specifications

|                    |   |
|--------------------|---|
| Dimensions:        | 8" W x 5" D x 5-1/2" H<br>20 cm x 12.5 cm x 14 cm |
| Tank Capacity:     | 20 oz./600 ml                                     |
| Tank Construction: | Stainless Steel                                   |
| Input Power:       | 35 Watts  |
| Electrical:        | 115V, 60HZ (220V, 50HZ available)                 |

### Components



- 1 Working Indication Light (red light on when unit is operating)
- 2 On/Off Buttons
- 3 Hinged Lid
- 4 Outer Shell

#### Components Not Shown

Power Indication Light (blue light on when unit is powered on)  
Plastic Basket Insert  
Stainless Steel Tank  
Power Plug & Cord