

# How To Build A Manifold



**PRACTICAL SYSTEMS, INC.**

11617 Prospect Road • Odessa, FL 33556  
(800) 237-8154 • Fax (800) 330-3800

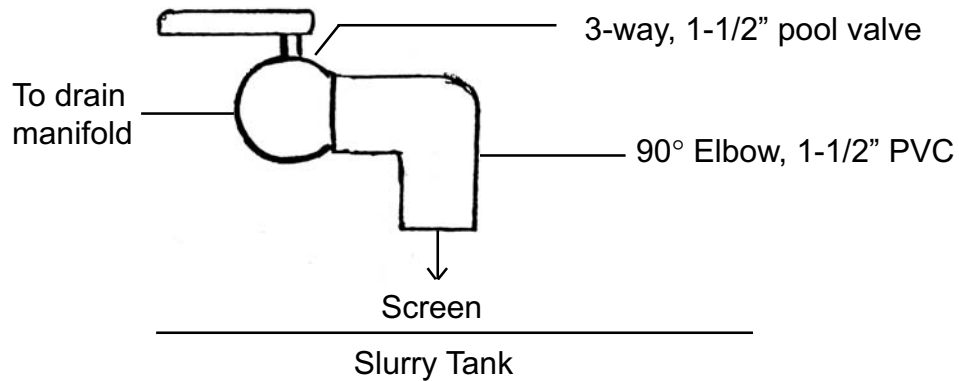
## MANIFOLD INSTRUCTIONS

### Drain Manifold Instructions

When building the drains, please take note that the distance between the drain inputs will vary due to the space between the cylinder machines.

Some cylinder machines require a PVC bushing and fitting at the 1-1/2" PVC tees to hook up the drain manifold.

A 3 way pool valve may be installed at the end of the out put tee nearest the central slurry system to assist in clean out. However, a 90° elbow must be used on the end to cause the polish to have a direct vertical drop back into the slurry tank.



### Polish Manifold Instructions

The PVC ball valves maybe omitted at the labs discretion. The barbed fittings can be threaded directly into the PVC tees without the use of the 1/2" threaded fittings.

Threaded end caps are to be used to assist in the clean out.

If you have any questions, contact

**PSI**

11617 Prospect Road

Odessa, FL 33556

Phone: 800-237-8154 or 727-376-7900

Fax: 800-330-3800 or 727-372-1900

email: [looktopsi@aol.com](mailto:looktopsi@aol.com)

### Parts List for Polish Supply

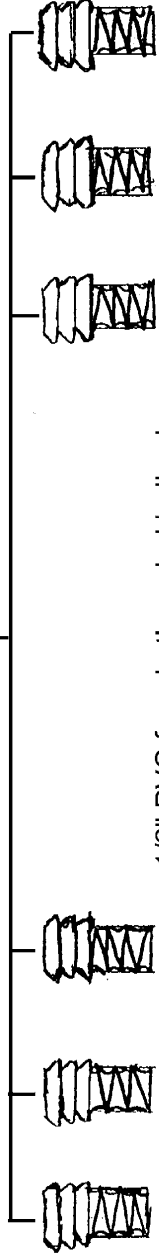
<b>Qty.</b>	<b>Description</b>
6	1/2" threaded by 1/2" barbed fittings
6	1/2" female threaded PVC ball valves
6	1/2" threaded fittings
6	1" PVC slip joint by 1/2" threaded tees
1 or 2	Sticks of 1" PVC (depending on run length)
2	1" slip joint by male threaded PVC fittings
2	1" PVC female threaded caps
1	1" slip joint by 1" female threaded tee
1	1" male threaded by 1" barbed fitting

### Parts List for Drain Lines

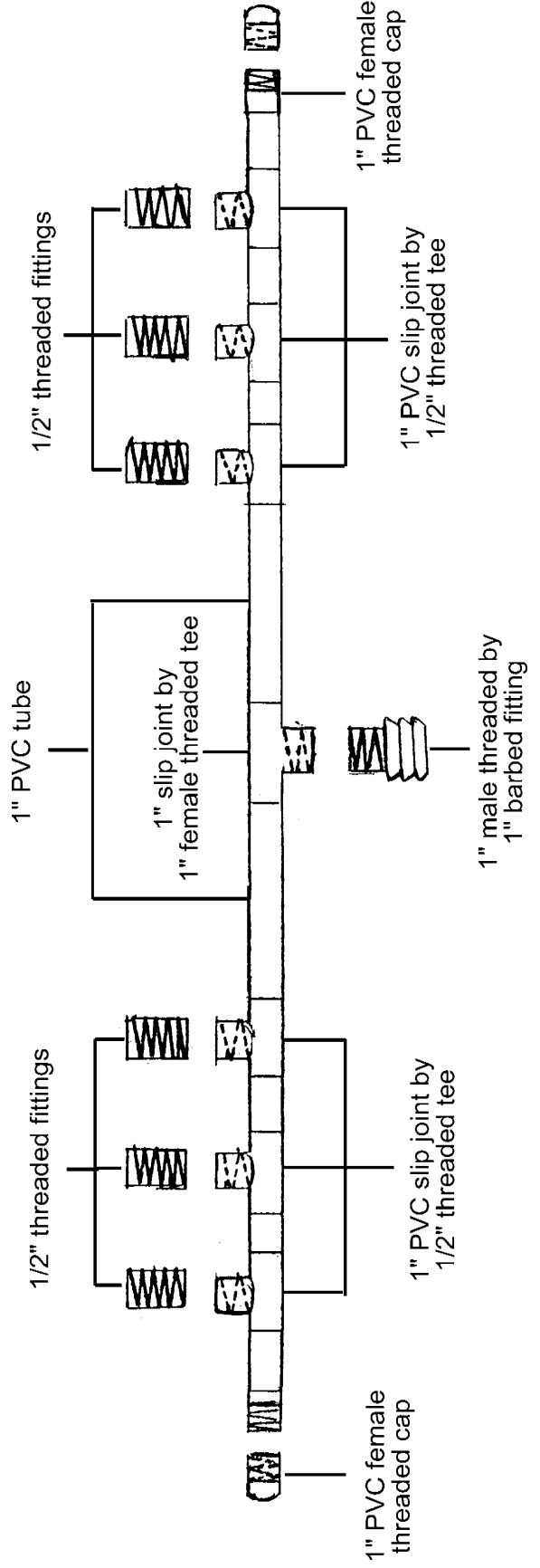
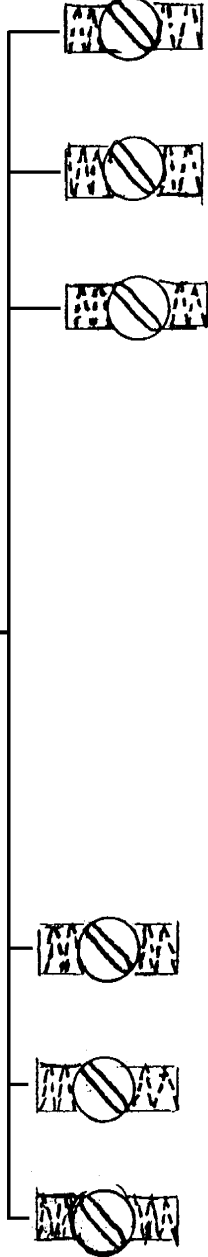
<b>Qty.</b>	<b>Description</b>
7	1-1/2" PVC tees
2	1-1/2" PVC 90° elbows
3	1-1/2" pipe slip joint end caps
1 or 2	1/2" PVC tube (depending on run length)

# Polish Supply Manifold

1/2" threaded by 1/2" barbed fitting



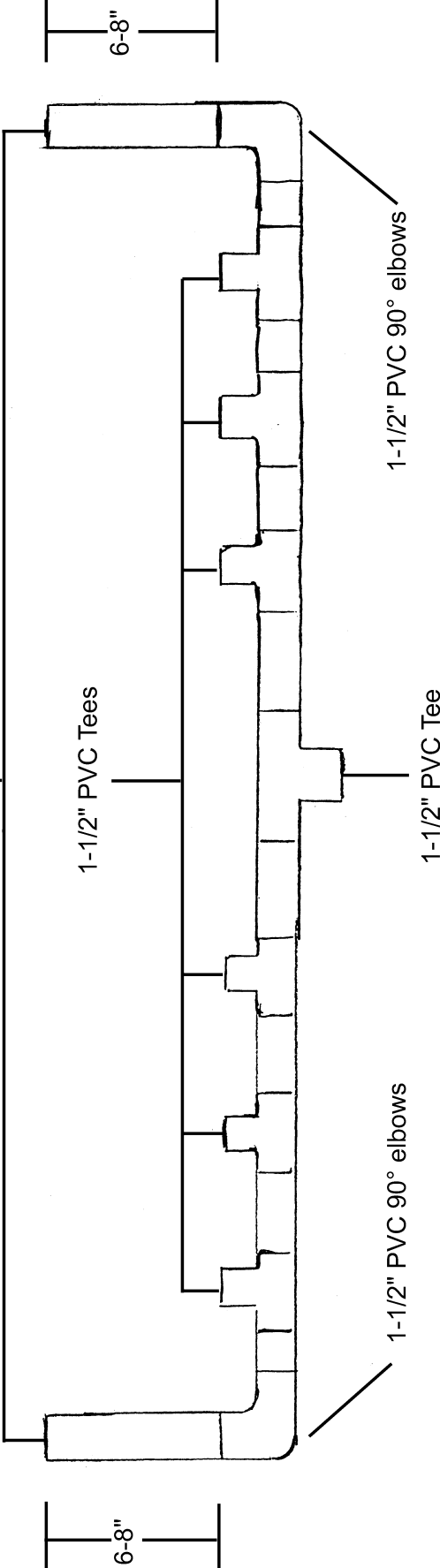
1/2" PVC female threaded ball valves  
NOTE: Ball valves are optional



# Polish Drain Manifold

1-1/2" Slip Joint End Caps

Note: 1/4" hole MUST be drilled in top of end caps



NOTE: All PVC tube is 1-1/2"