

Mini Hand Edger NH-100

Installation and Operating Instructions



PRACTICAL SYSTEMS, INC.

11617 Prospect Road • Odessa, FL 33556

(800) 237-8154 • Fax (800) 330-3800

www.LookToPSI.com

Operating Instructions

Model NH-100 Mini Hand Edger

The Mini Hand Edger from PSI quickly and easily pin bevels edged lenses for mounting.

WARNING: Never attempt to operate this machine before you have thoroughly read and understood all the instructions. Failure to comply can result in fire, electric shock or serious personal injury. Keep this users manual on hand and review frequently to ensure continued safe operation.

NOTE: Manufacturer assumes no responsibility or liability for any damages caused by negligence or ignorance of precautions in this manual.

Safety Precautions

- Do not use this machine for any purpose other than hand edging lenses.
- Make sure your power source corresponds to the specifications of the unit. Never operate this machine with the wrong power source.
- Do not place the machine in a hot area or near flammable materials.
- If any type of liquid or material gets into the inner part of the unit, IMMEDIATELY turn off and unplug the unit. Do not turn the power on again until the unit has been checked by a qualified service representative.
- Do not try to disassemble any part of the unit except the parts that are explained in this manual. Doing so will void all warranties.
- Unplug the power cord when not in use for a long period of time.
- Do not touch the wheel while the machine is in operation.
- Do not use replacement parts from other than the manufacturer. If other replacement parts are used, all warranties will be null and void.

Unpacking The Machine

1. Open the carton and take out the machine wrapped in foam.
2. Carefully remove the machine from the foam packing.
3. Place machine on a stable, flat surface.
4. Make sure the following accessories are included in the package:

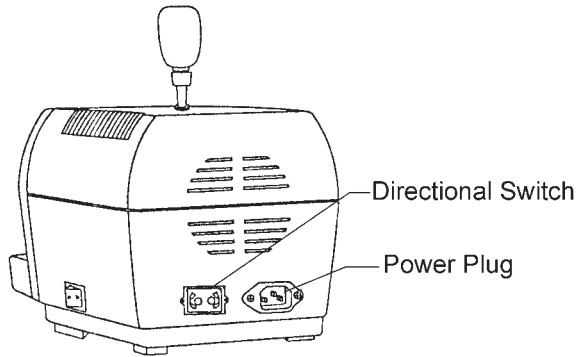
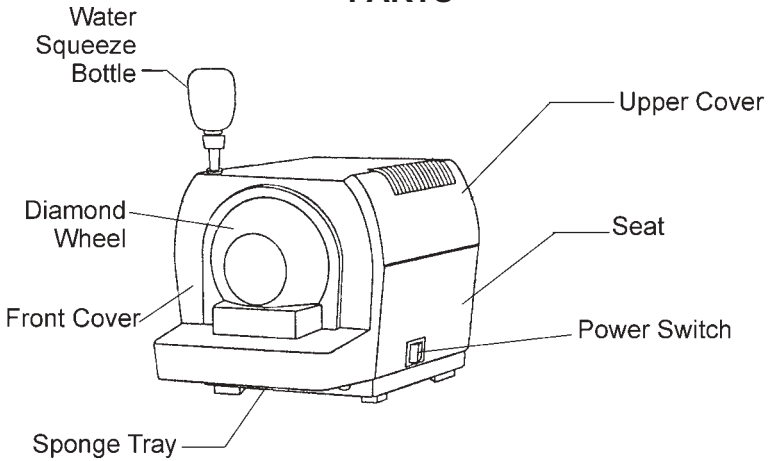
Power Cable

Water Squeeze Bottle

Sponge Tray (underside of the unit)

Honing Stick

PARTS



Operation

1. Remove the sponge tray from the under side of the edger by moving the edger to the front of the table and reaching two fingers up underneath. Put your fingers in the holes and squeeze to release the tray.
2. Wet the sponge with clean water and squeeze out excess liquid. Put it back into the sponge tray and replace the tray into the edger. Make sure the edger is moved back away from the edge of the table before using.
3. Turn the power switch on.
4. Machine is ready to be used.
5. When operating, if the wheel becomes dry, squeeze water, using the bottle provided, into the hole at the top of the edger to lubricate the sponge.

Maintenance

1. Make sure you clean the sponge tray periodically and replace the sponge when needed to keep machine in good running order.
2. When the wheel becomes dull, use PSI's 808 honing stick to recondition the wheel. When honing make sure the machine is lubricated with water. Hone the wheel in both the forward and reverse directions to clean both sides of the wheel.
3. To change the direction of the wheel for honing, locate the direction switch on the back side of the edger. First, turn off all power to the machine. Using a small screwdriver, press the direction switch to the opposite direction until it clicks.
4. Replacement wheels can be purchased from PSI when needed. To replace the wheel, remove the front cover of the edger by removing the screws on the underside near the sponge tray. Remove the upper cover. Snap off the black disk on the front of the wheel using a screwdriver. Unscrew the nut using a socket wrench. Hold the end of the wheel shaft behind the motor with a wrench or pliers so it doesn't move. Unscrew the wheel from the shaft and screw on the new one. Replace the nut, disk and covers.



PRACTICAL SYSTEMS, INC.

11617 Prospect Road • Odessa, FL 33556
(800) 237-8154 • Fax (800) 330-3800